

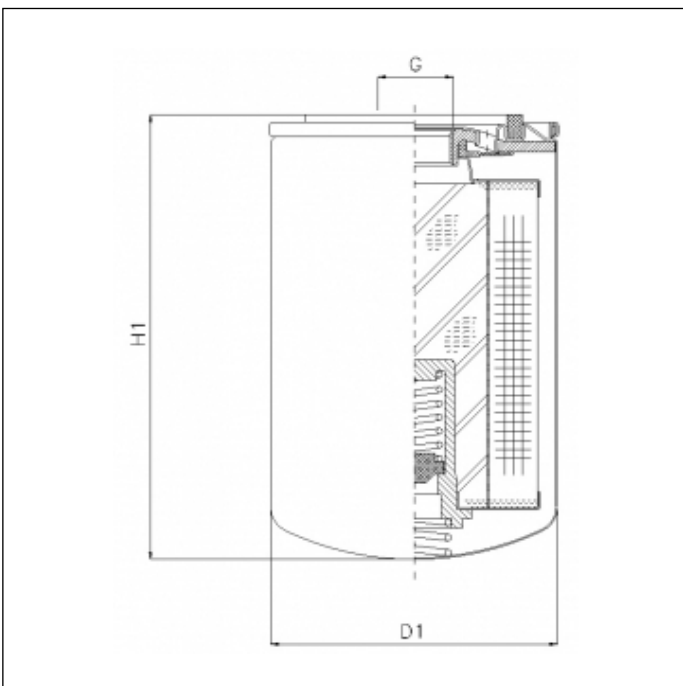
## A210G03BM

printed on: 23-04-2025



### TECHNICAL INFO

Media type	INORGANIC FIBERGLASS
Efficiency	$<4 \mu\text{m}_{(c)} \beta_x \geq 200$
Efficiency 1	$5 \mu\text{m}_{(c)} \beta_x \geq 1000$
Max working pressure	12 bar
Bypass setting	1.7 bar
Seals	NBR
Temperature range	$-30^{\circ}\text{C} +100^{\circ}\text{C}$



### OVERALL DIMENSIONS

D1	96,0 mm
H1	148,0 mm
G	G 3/4