

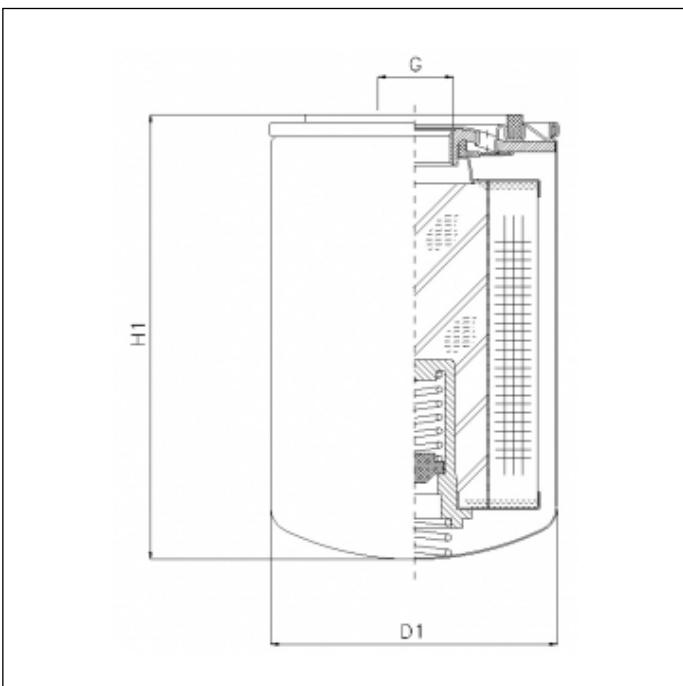

A220T60BM

printed on: 29-04-2025



TECHNICAL INFO

Media type	WIRE MESH
Efficiency	60 µm
Max working pressure	12 bar
Bypass setting	1.7 bar
Seals	NBR
Temperature range	-30°C +100°C



OVERALL DIMENSIONS

D1	128,0 mm
H1	182,0 mm
G	G 1 1/4