

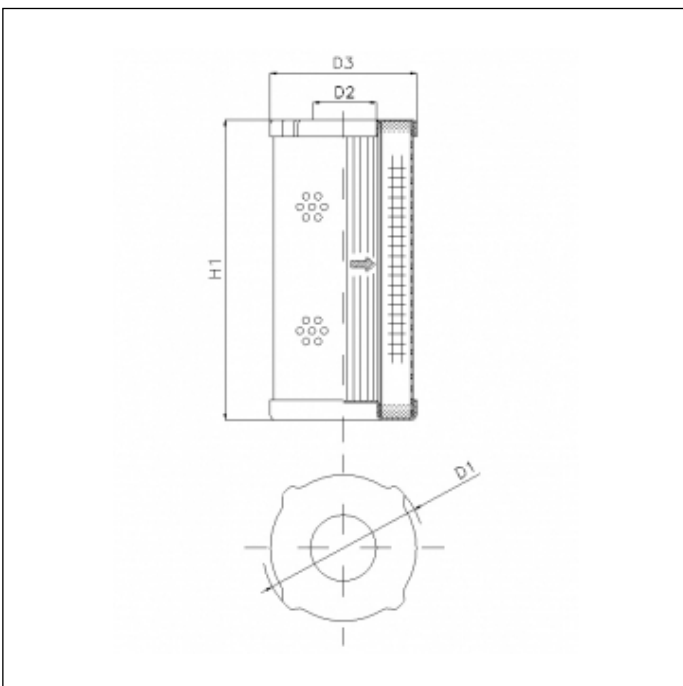
D411G10

printed on: 24-04-2025



TECHNICAL INFO

Media type	INORGANIC FIBERGLASS
Efficiency	10 $\mu\text{m}_{(c)}$ $\beta_x \geq 200$
Efficiency 1	12 $\mu\text{m}_{(c)}$ $\beta_x \geq 1000$
Flow direction	IN-OUT
Burst Δp	10 bar
Temperature range	-25°C +120°C



OVERALL DIMENSIONS

D1	60,0 mm
D2	27,0 mm
H1	249,0 mm