

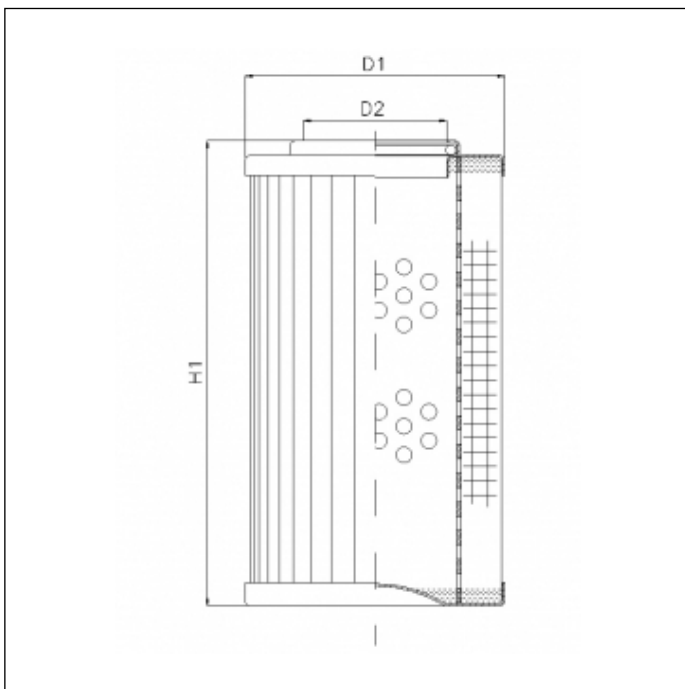
DHD240G05B/ESD

printed on: 29-04-2025



TECHNICAL INFO

Media type	INORGANIC FIBERGLASS
Efficiency	5 $\mu\text{m}_{(c)}$ $\beta_x \geq 200$
Efficiency 1	7 $\mu\text{m}_{(c)}$ $\beta_x \geq 1000$
Flow direction	OUT-IN
Collapse Δp	20 bar
Seals	NBR
Temperature range	-30°C +100°C
Note	ANTI-ESD FILTER ELEMENT



OVERALL DIMENSIONS

D1	69,0 mm
D2	34,2 mm
H1	173,0 mm