

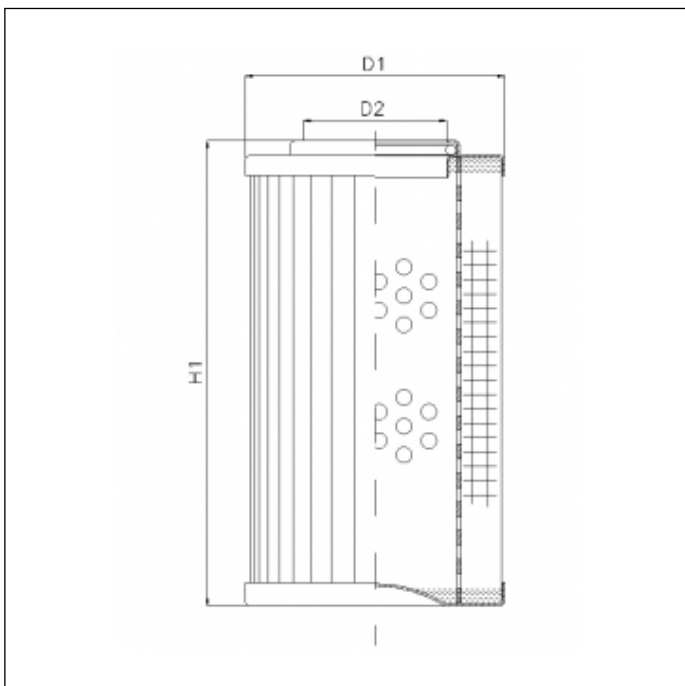
DHD30G10V/ESD

printed on: 29-04-2025



TECHNICAL INFO

Media type	INORGANIC FIBERGLASS
Efficiency	10 $\mu\text{m}_{(c)}$ $\beta_x \geq 200$
Efficiency 1	12 $\mu\text{m}_{(c)}$ $\beta_x \geq 1000$
Flow direction	OUT-IN
Collapse Δp	20 bar
Seals	FKM
Temperature range	-25°C +120°C
Note	ANTI-ESD FILTER ELEMENT



OVERALL DIMENSIONS

D1	35,0 mm
D2	12,5 mm
H1	93,0 mm