

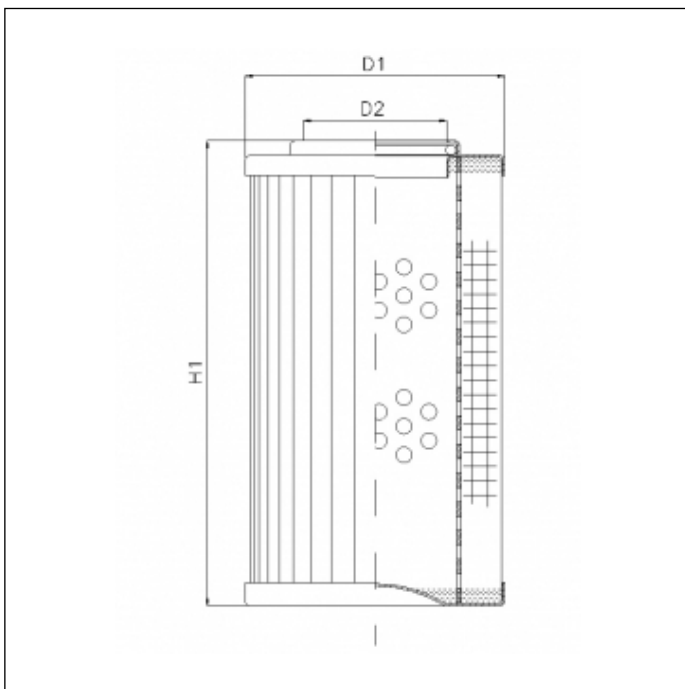
DHD60G03V/ESD

printed on: 29-04-2025



TECHNICAL INFO

Media type	INORGANIC FIBERGLASS
Efficiency	<math> < 4 \mu\text{m}_{(c)} \beta_x \geq 200 </math>
Efficiency 1	$5 \mu\text{m}_{(c)} \beta_x \geq 1000$
Flow direction	OUT-IN
Collapse Δp	20 bar
Seals	FKM
Temperature range	-25°C +120°C
Note	ANTI-ESD FILTER ELEMENT



OVERALL DIMENSIONS

D1	47,0 mm
D2	22,4 mm
H1	84,0 mm