

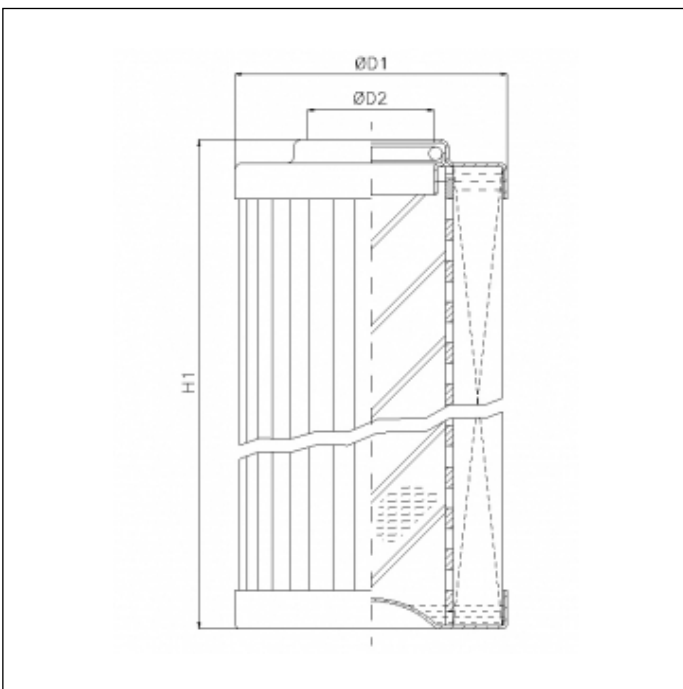
DVD290B10B

printed on: 23-04-2025



TECHNICAL INFO

Media type	WIRE MESH
Efficiency	10 µm
Flow direction	OUT-IN
Collapse Δp	30 bar
Seals	NBR
Temperature range	-30°C +100°C



OVERALL DIMENSIONS

D1	53,0 mm
D2	24,5 mm
H1	149,0 mm

Technical information may change without notice. Image and drawing are representative only