

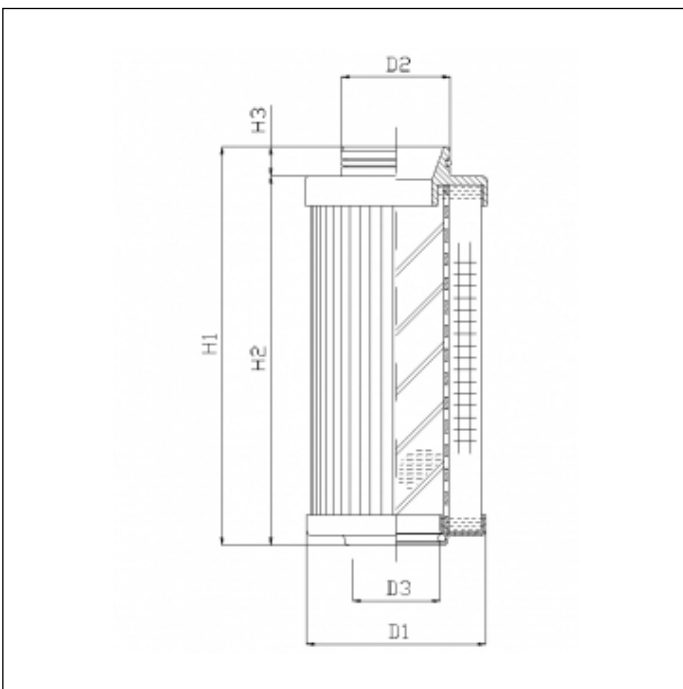
R530T25V

printed on: 29-04-2025



TECHNICAL INFO

Media type	WIRE MESH
Efficiency	25 µm
Flow direction	OUT-IN
Collapse Δp	10 bar
Seals	FKM
Temperature range	-25°C +120°C



OVERALL DIMENSIONS

D1	60,0 mm
D2	36,4 mm
D3	29,5 mm
H1	134,0 mm
H2	124,3 mm
H3	9,7 mm

Technical information may change without notice. Image and drawing are representative only