

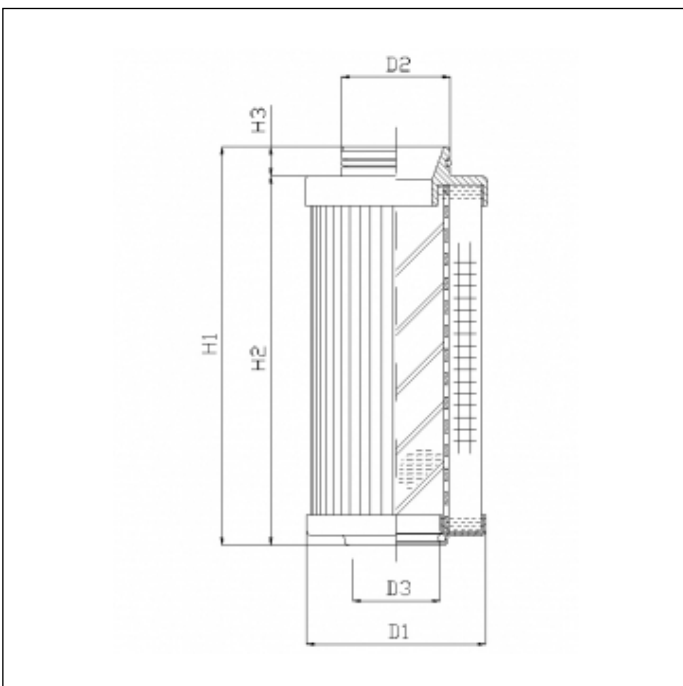
## R531G06V

printed on: 24-04-2025



### TECHNICAL INFO

Media type	INORGANIC FIBERGLASS
Efficiency	5 $\mu\text{m}_{(c)}$ $\beta_x \geq 200$
Efficiency 1	7 $\mu\text{m}_{(c)}$ $\beta_x \geq 1000$
Flow direction	OUT-IN
Collapse $\Delta p$	10 bar
Seals	FKM
Temperature range	-25°C +120°C



### OVERALL DIMENSIONS

D1	60,0 mm
D2	36,4 mm
D3	29,5 mm
H1	243,0 mm
H2	233,3 mm
H3	9,7 mm

Technical information may change without notice. Image and drawing are representative only