

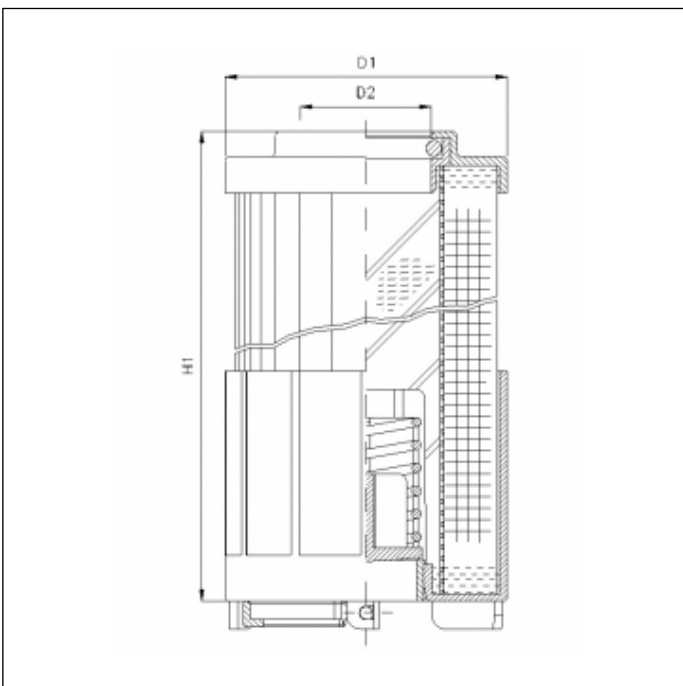
R622C25

printed on: 23-04-2025



TECHNICAL INFO

Media type	IMPREGNATED PAPER
Efficiency	25 $\mu\text{m}_{(c)}$ $\beta_x \geq 2$
Flow direction	OUT-IN
Collapse Δp	10 bar
Bypass setting	1.5 bar
Seals	NBR
Temperature range	-30°C +100°C



OVERALL DIMENSIONS

D1	61,5 mm
D2	28,5 mm
H1	135,0 mm