

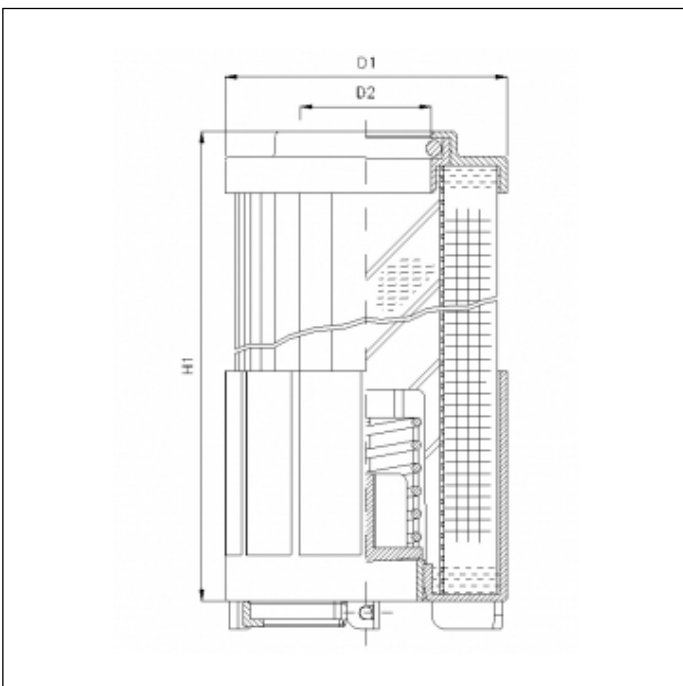
## R631C10R

printed on: 23-04-2025



### TECHNICAL INFO

Media type	REINFORCED PAPER
Efficiency	10 $\mu\text{m}_{(c)}$ $\beta_x \geq 2$
Flow direction	OUT-IN
Collapse $\Delta p$	10 bar
Bypass setting	1.5 bar
Seals	NBR
Temperature range	-30°C +100°C



### OVERALL DIMENSIONS

D1	61,5 mm
D2	28,5 mm
H1	305,0 mm

Technical information may change without notice. Image and drawing are representative only