

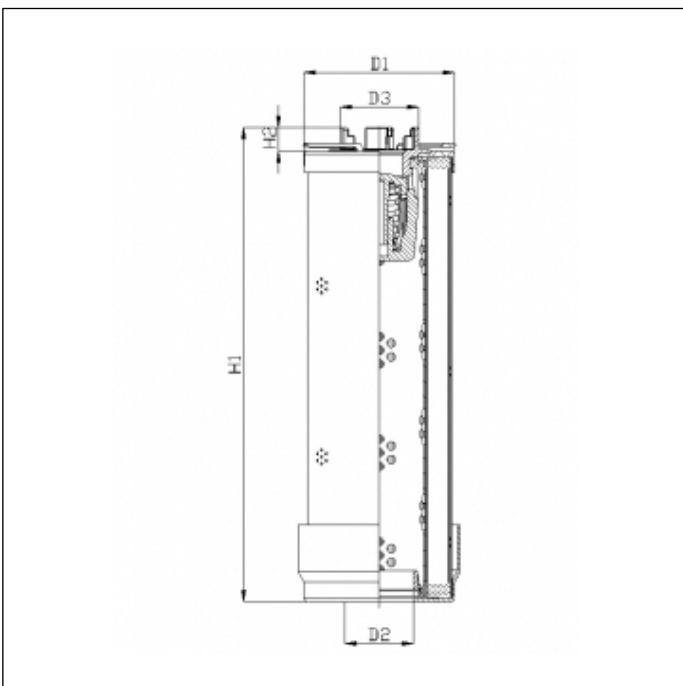
RHR210G20V6/AB1

printed on: 29-04-2025



TECHNICAL INFO

Media type	INORGANIC FIBERGLASS
Efficiency	20 $\mu\text{m}_{(c)}$ $\beta_x \geq 200$
Efficiency 1	22 $\mu\text{m}_{(c)}$ $\beta_x \geq 1000$
Flow direction	OUT-IN
Collapse Δp	20 bar
Bypass setting	6.0 bar
Seals	FKM
Temperature range	-25°C +120°C



OVERALL DIMENSIONS

D1	88,0 mm
D2	40,1 mm
D3	45,8 mm
H1	277,0 mm
H2	14,0 mm

Technical information may change without notice. Image and drawing are representative only