

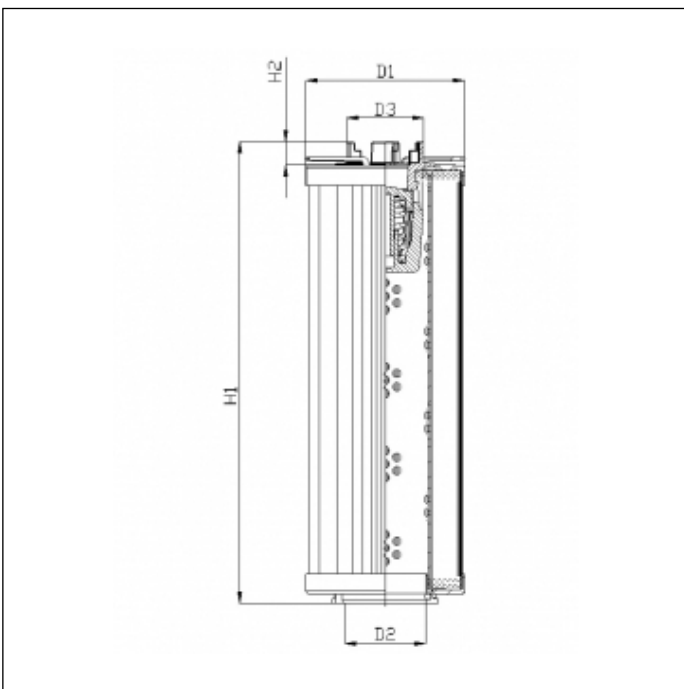
RHR330S100B3/AB1

printed on: 21-05-2025



TECHNICAL INFO

Media type	WIRE MESH
Efficiency	100 µm
Flow direction	OUT-IN
Collapse Δp	20 bar
Bypass setting	3.0 bar
Seals	NBR
Temperature range	-30°C +100°C



OVERALL DIMENSIONS

D1	94,5 mm
D2	48,2 mm
D3	45,8 mm
H1	194,0 mm
H2	14,0 mm

Technical information may change without notice. Image and drawing are representative only