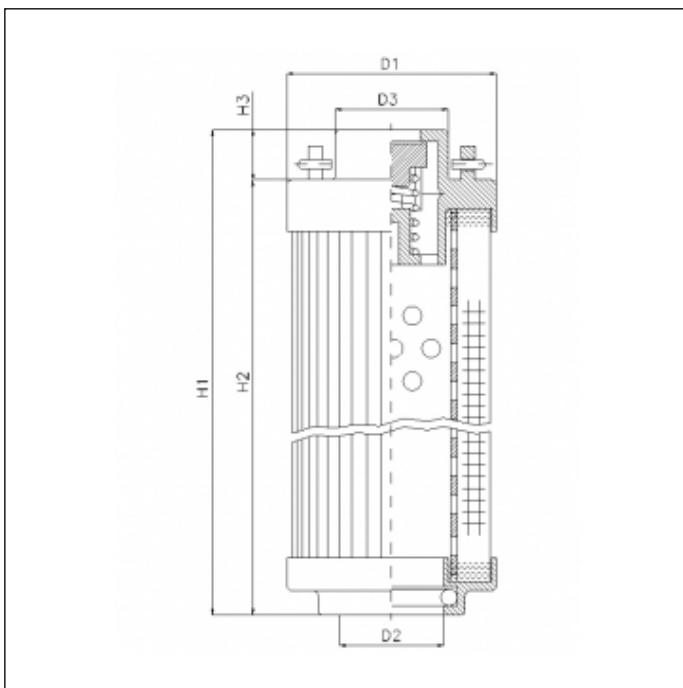


RHR500A05B

printed on: 13-04-2026

TECHNICAL INFO

Media type	STAINLESS STEEL FIBER
Efficiency	5 $\mu\text{m}_{(c)}$ $\beta_x \geq 200$
Flow direction	OUT-IN
Collapse Δp	20 bar
Bypass setting	3.0 bar
Seals	NBR
Temperature range	-30°C +100°C



OVERALL DIMENSIONS

D1	77,0 mm
D2	48,2 mm
D3	45,8 mm
H1	275,0 mm
H2	261,5 mm
H3	13,5 mm