

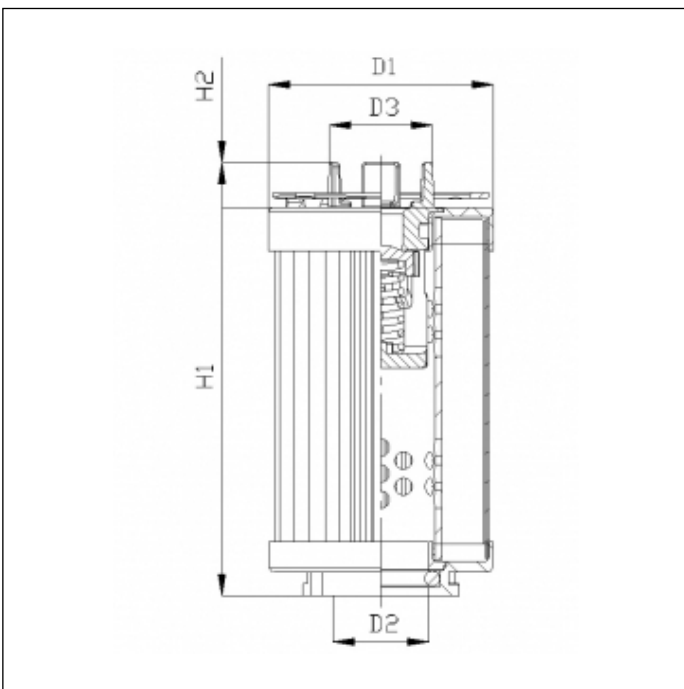
RHR60A05V3/AB1

printed on: 29-04-2025



TECHNICAL INFO

Flow direction	OUT-IN
Collapse Δp	20 bar
Bypass setting	3.0 bar
Seals	FKM
Temperature range	-25°C +120°C



OVERALL DIMENSIONS

D1	42,0 mm
D2	22,2 mm
D3	24,0 mm
H1	100,0 mm
H2	10,3 mm